

**CYCLEMATIC**

# CNC TOOLROOM LATHE CYCLEMATIC CT-606CNC

*Guaranteed  
Circularity Accuracy  
to 0.0015mm (50 millionths inch)*

*Computer controlled toolroom  
lathe at an affordable price!*

FANUC 20TA CNC Control



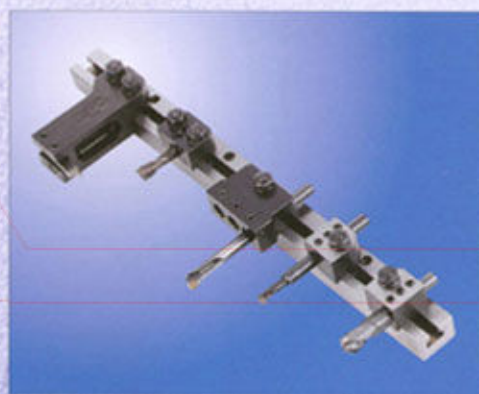
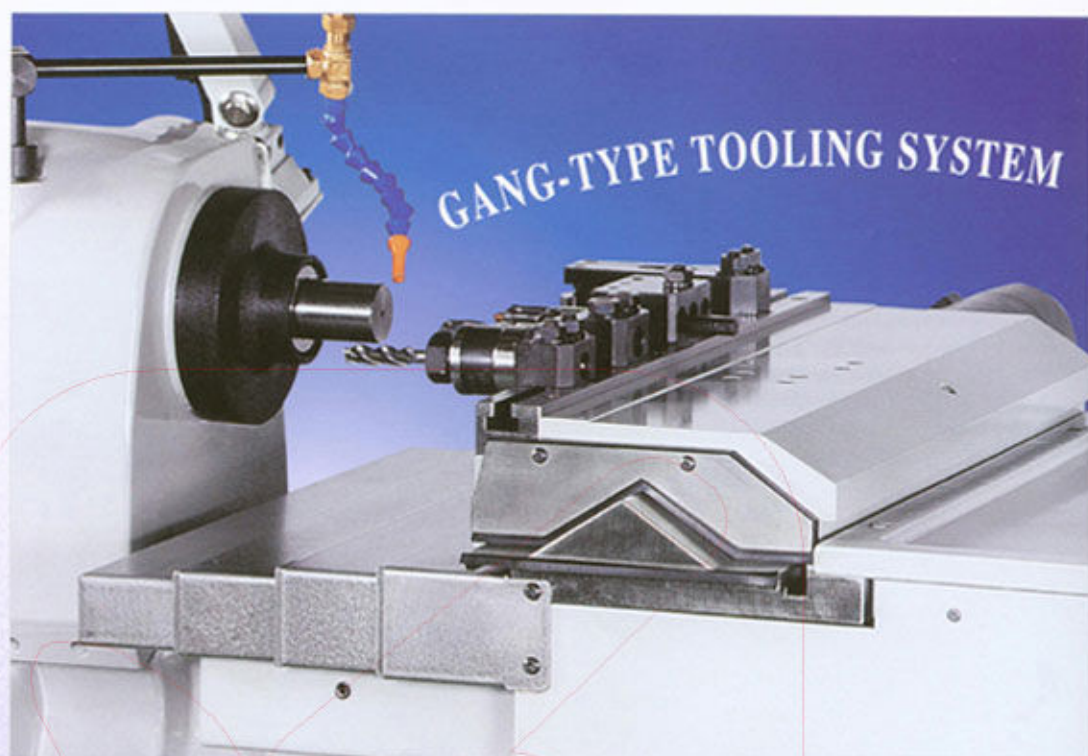
# CYCLEMATIC CNC TOOLROOM LATHE

- ★ *Guaranteed Circular Accuracy 0.0015mm (50 millionths of an inch)*
- ★ *All New Parts Constructed Throughout!*
- ★ **GANG-TYPE TOOLING SYSTEM**
- ★ *CE Standard Splash Guard (Optional)*



**CYCLEMATIC**  
**CT-606CNC**

an inch)



#### **CONVENIENT TOOL SLIDE CHANGE**

Tool slide change is quickly accomplished by changing the entire unit. When tool slide is changed, the operator needs only to set up the first tool.



#### **POWER COLLET CLOSER (OPTIONAL)**

When requested, the lathe can be fitted with a power collet closer to replace manual lever operation. This air operated collet closer features automatic chucking for upgrading working efficiency.

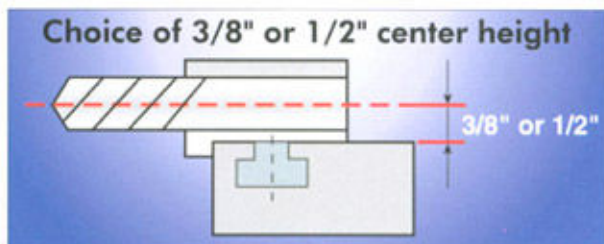
## **OUTSTANDING FEATURES**

- Precision ball screw on X, Z-axes
- Linear motion guides on X, Z-axes
- Steel telescopic way guards on Z-axis provide better protection.
- FANUC 20TA CNC controller (Standard)
- X, Z-axis feed is driven by a AC servo motor.
- X, Z-axis ball screws directly coupled to AC servo motor, minimizing backlash.
- Fast lever collet chucking with a single movement.
- Power collet closer is optional.
- The spindle is mounted in high precision preloaded angular contact ball bearings eliminating radial and end play.
- A wide variety of optional accessories to increase versatility of the machine.
- Powerful 5 HP frequency controlled motor

# OPTIONAL ACCESSORIES



● 1 HOLE DRILL AND SHANK HOLDER



● 2 HOLE DRILL AND SHANK HOLDER



Specify 3/8" or 1/2" center height when ordering



● 3 HOLE DRILL AND SHANK HOLDER

## GANG TYPE TOOL SLIDE

The tool slide has a T-slot for easy mounting of tool holders, which accommodate standard 3/8" tool center height. 1/2" tool center height is optional.



● 6 HOLE DRILL AND SHANK HOLDER



● DRILL AND SHANK HOLDER (RIGHT HAND)



● CENTER ADJUSTABLE TOOL HOLDER



● 8 HOLE DRILL AND SHANK HOLDER



● DRILL AND SHANK HOLDER (LEFT HAND)



● EXTENSION TOOL HOLDER A: 1", 2", 3", 4"



● STEP CHUCK CLOSER

● STEP CHUCK

● STEP CHUCK CLOSER AND STEP CHUCK 2", 3", 4", 5", 6"



● SQUARE HOLDER (RIGHT HAND or LEFT HAND)



● TAP HOLDER

## SPECIFICATIONS

| MODEL                          | CT-606CNC                       |
|--------------------------------|---------------------------------|
| Maximum swing                  | 200 mm (8")                     |
| Maximum turning diameter       | 150 mm (6")                     |
| Maximum turning length         | 150 mm (6")                     |
| Bar stock diameter (5C collet) | Ø 27 mm (Ø1-1/16")              |
| Hole through spindle           | Ø 31.75 mm (Ø1-1/4")            |
| Spindle speeds (Variable)      | 0 ~ 4000 R.P.M.                 |
| Spindle nose                   | 4° Taper                        |
| Chuck diameter                 | Ø 6" (Max.)                     |
| Tool size                      | 3/8" & 1/2"                     |
| Maximum X-axis travel          | 200 mm (8")                     |
| Maximum Z-axis travel          | 150 mm (6")                     |
| Rapid traverse                 | 20 M/min                        |
| Spindle motor                  | 5 HP                            |
| X, Z-axis motor                | FANUC $\beta$ 0.5 or (Optional) |
| Cutting fluid motor            | 1/8 HP                          |
| Machine dimensions (L x W x H) | 2000 x 1100 x 1700 mm           |
| Machine weight                 | 1100 KGS                        |

All dimensions, specifications and machine appearance are subject to change without prior notice.

## ADDITIONAL MODELS FROM CYCLEMATIC

- MANUAL TOOLROOM LATHE CTL-618EVS
- CNC TOOLROOM LATHE CT-1118CNC
- SECOND OPERATION MACHINE CTS-27EVS
- SECOND OPERATION / TOOLMAKERS LATHE CTL-27EVS
- CHUCKING LATHE CHR-68EVS
- FINISHING LATHE CP-27EVS

# CYCLEMATIC

## CYCLEMATIC MACHINERY CO., LTD.

20, LANE 50, MIN SHENG RD., SHEN KANG, TAICHUNG,  
TAIWAN.

TEL:886-4-2562-5393, 2562-6509 FAX:886-4-2562-0298

E-mail: matic88@ms77.hinet.net

<http://www.cyclematic.com> <http://www.toolrooms.com>

<http://www.cyclematic.com.tw> <http://www.toolroom.com.tw>